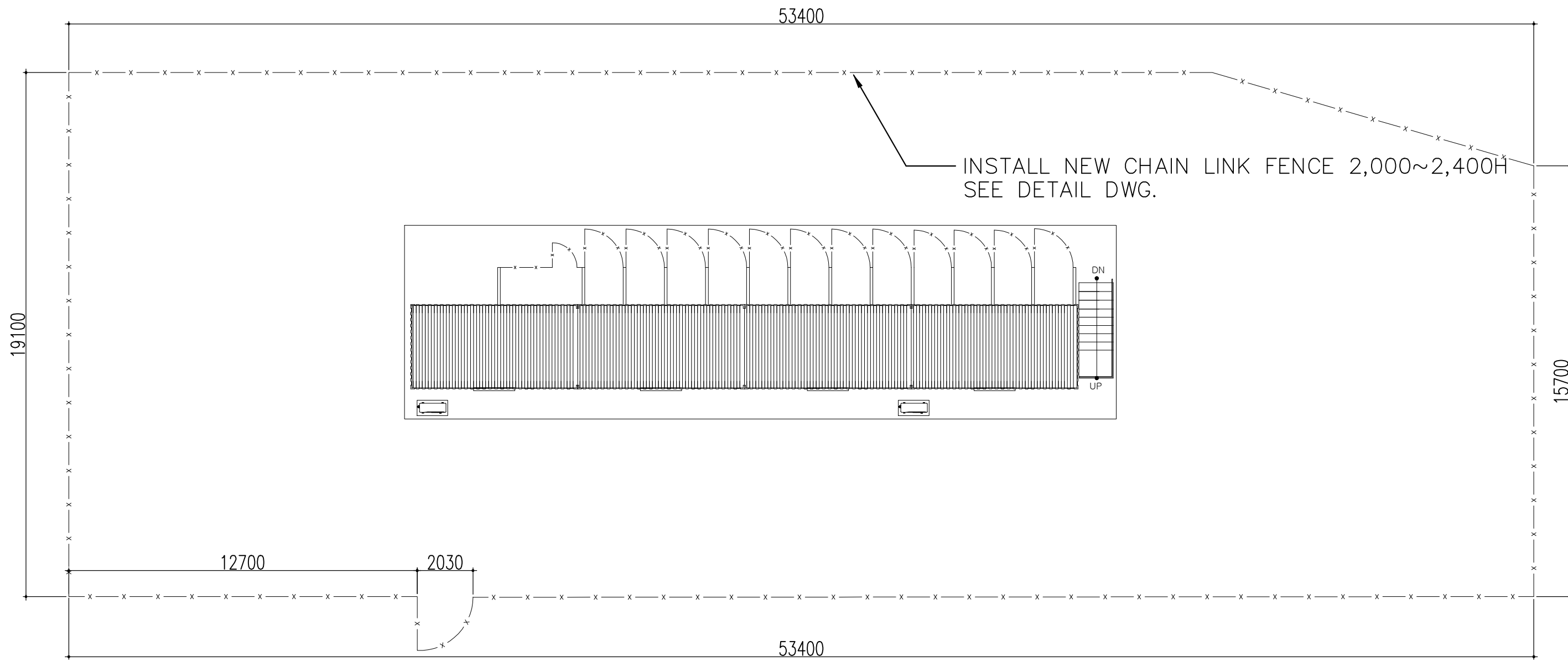
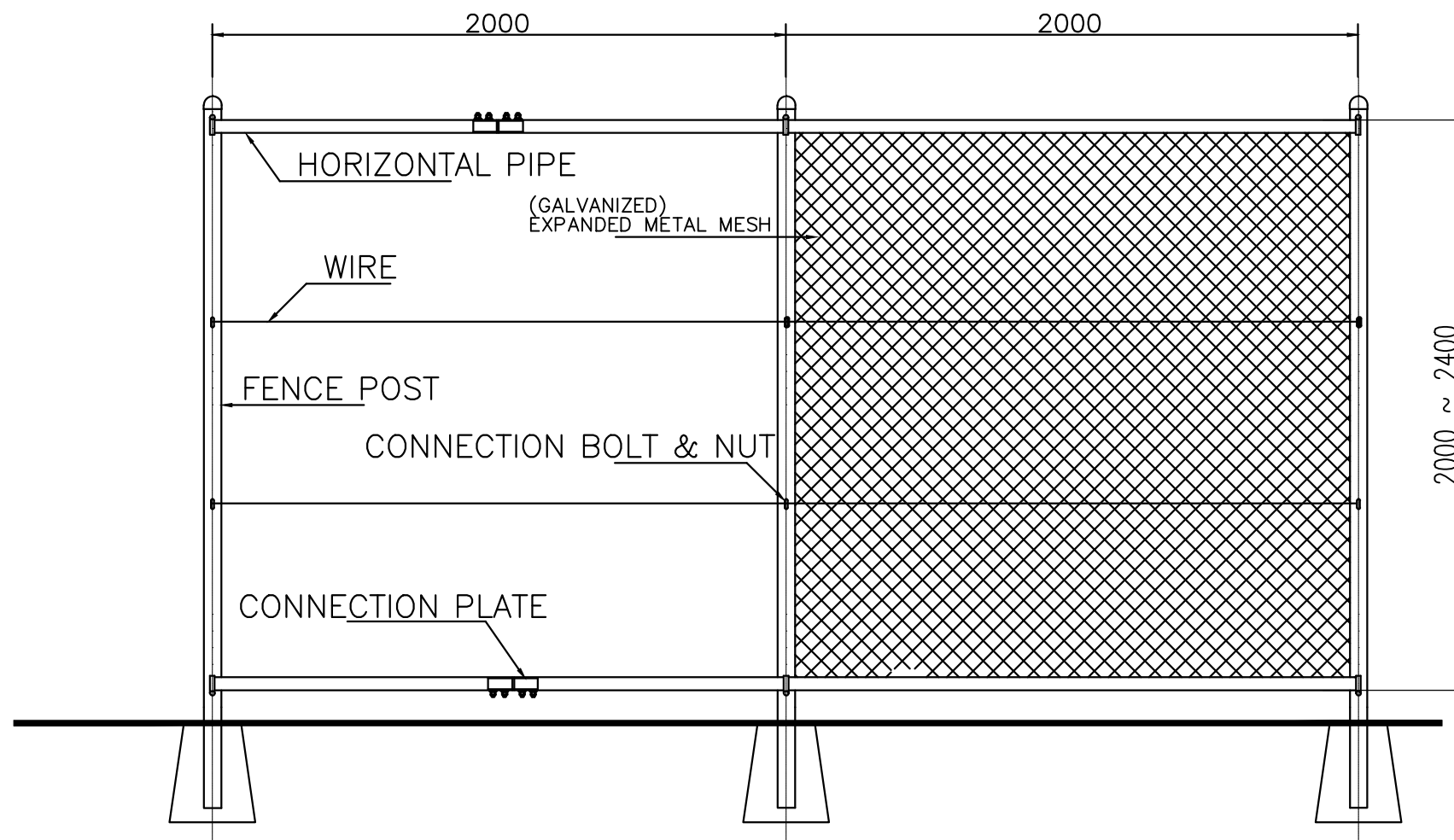


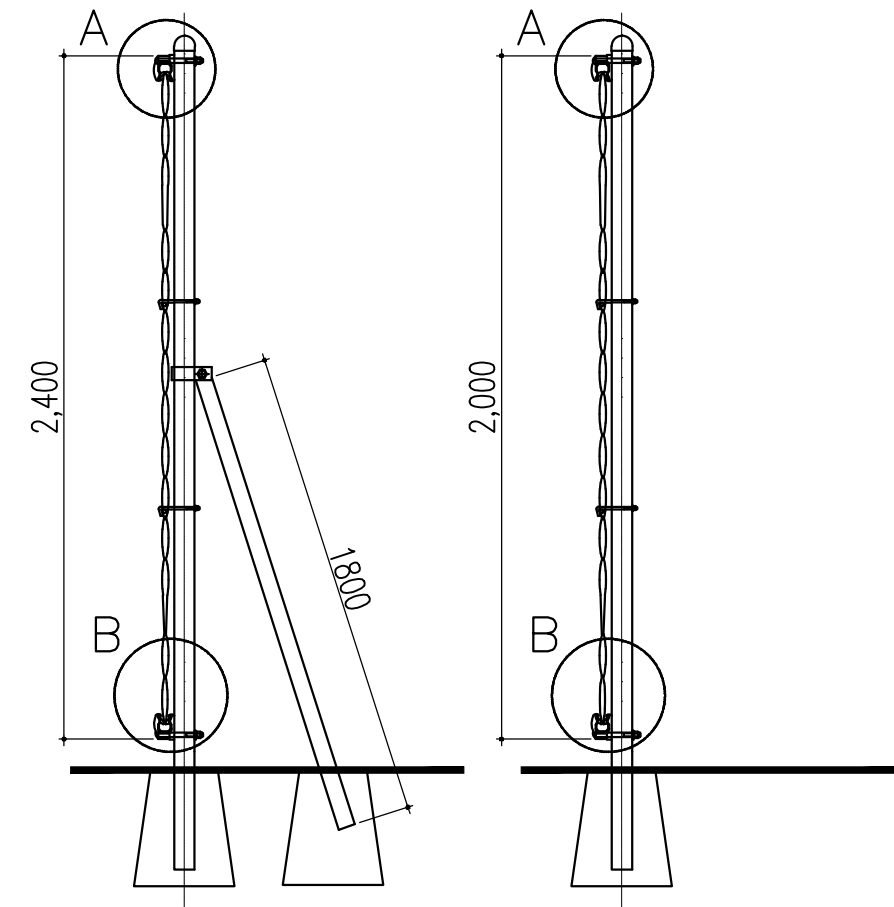
1 EXIST FENCE REMOVAL PLAN
SCALE : N.T.S



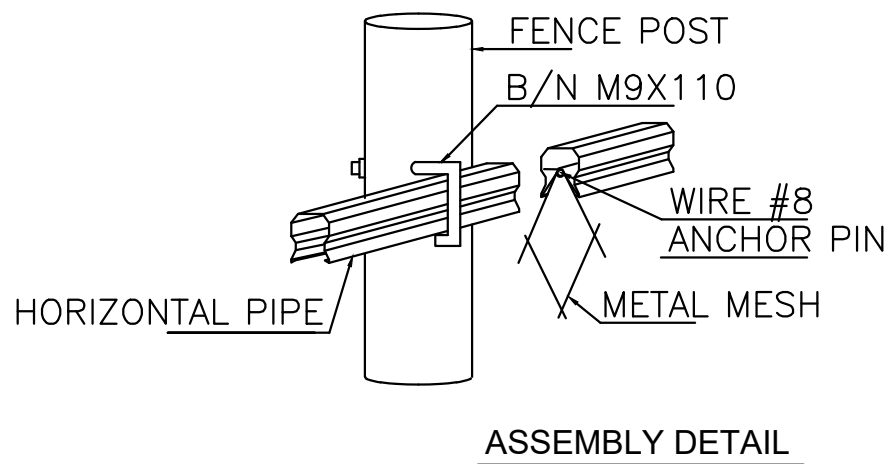
1 NEW CHAIN LINK FENCE PLAN
SCALE : N.T.S



1 FENCE INSTALLATION LAYOUT
SCALE : N.T.S

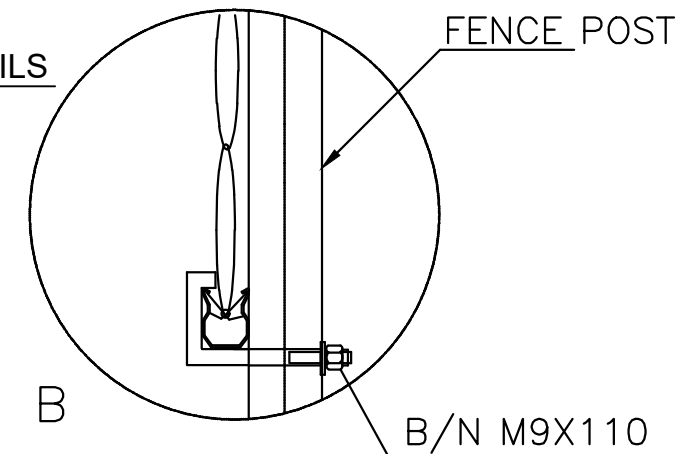
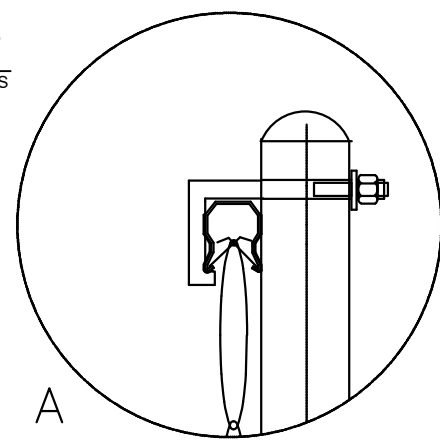


2 FENCE POST DETAIL
SCALE : N.T.S



ASSEMBLY DETAIL

"A, B" DETAILS



ITEM	SPECIFICATION	UNIT	MATERIAL / FINISH
FENCE POST	Ø50.8x1.4T	M	GALVANIZED STEEL
FENCE POST CAP	Ø50.8	EA	GALVANIZED STEEL
HORIZONTAL PIPE	45x35x1.4T	M	GALVANIZED STEEL
EXPANDED METAL MESH	#10x58x58	m ²	GALVANIZED STEEL
WIRE	#8	M	GALVANIZED STEEL
CONNECTION PLATE	39x29x1.0T	EA	GALVANIZED STEEL
ANCHOR PIN	27x0.5T	M	STAINLESS STEEL
CONNECTION B/N	M6x12	EA	GALVANIZED STEEL
7T B/N	M9x110	EA	GALVANIZED STEEL
HOOK B/N	M6x80	EA	GALVANIZED STEEL
SUPPORT POST	Ø50.8x1.4T	M	GALVANIZED STEEL
SUPPORT BAND	Ø50.8	EA	GALVANIZED STEEL
GROUND FIXING B/N	M9x50	EA	GALVANIZED STEEL